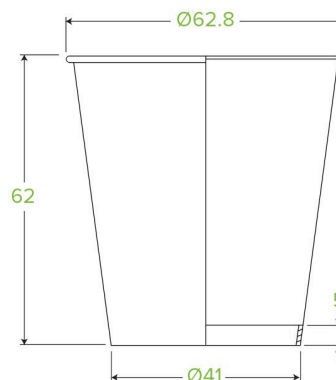


120ml / 4oz Leaf Single Wall BioCup BC-4



Carton quantity: 2000	Sleeves per carton: 40	Units per sleeve: 50
Carton Size LxWxH (cm): 51.0 x 34.0 x 38.5	Carton gross weight (kg): 9.000000	Carton barcode: 19344062001109
Raw material: Paper	Lining/coating: Bioplastic - Ingeo [®] , PLA	Window material: None
Printing Type: Offset	Inks: Food Contact Safe Inks	Brim fill capacity (ml): 120
Dimensions top LxW (mm): 62.8x62.8	Dimensions base LxW (mm): 41x41	Product Depth: 62.0
Product weight (g): 4.0	Thickness: 228gsm + 35gsm PLA	Use: Hot and cold
Manufactured: Taiwan	Customise: Print	MOQ custom: 50000
Mould fees: No	Quality product certified: ISO 9001	Factory food safety certified: BRC, HACCP
Home compostable: No	Industrially compostable: Certified to AS4376 Australian Standards, Certified to EN13432 European Standard	Recyclable: No